

6 5 4 3 2 1

D

C

B

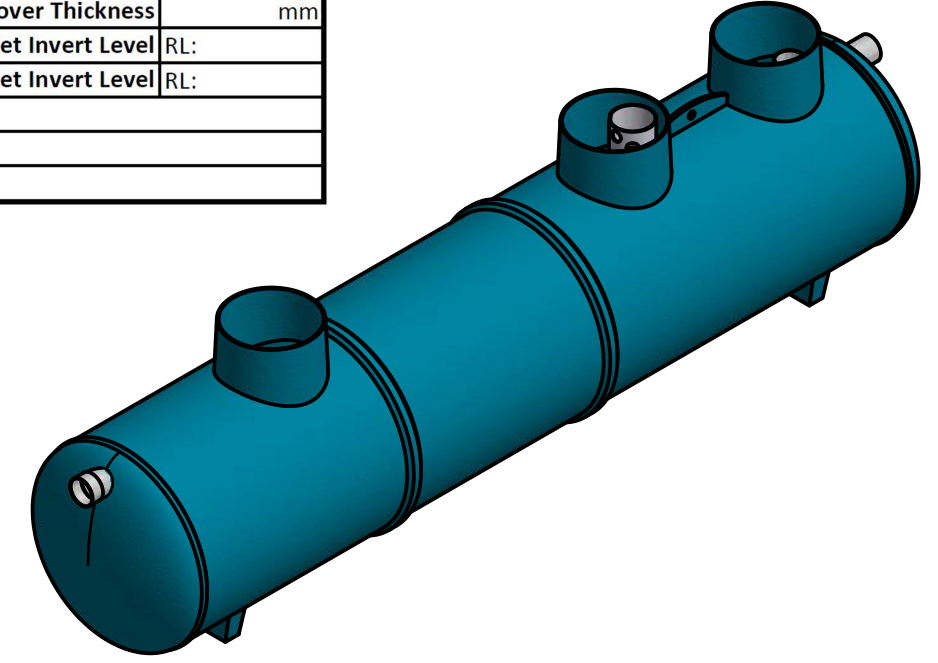
A

INLET Ø150  
PVC DWV PIPE

3 OFF - Ø600  
ACCESS MANHOLE

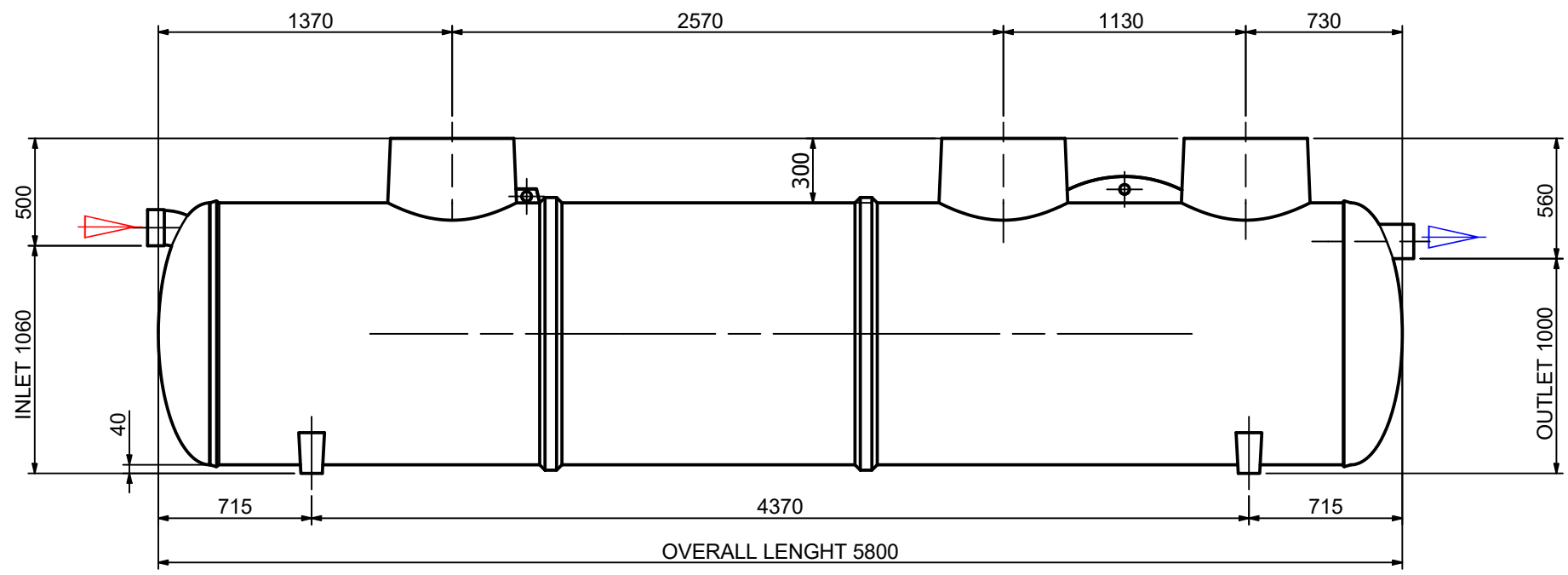
OUTLET Ø150  
PVC DWV PIPE

Site Level Confirmation	
Finished Surface Level (FSL) RL:	
Access Cover Thickness	mm
Inlet Invert Level RL:	
Outlet Invert Level RL:	
Company:	
Name:	
Date:	

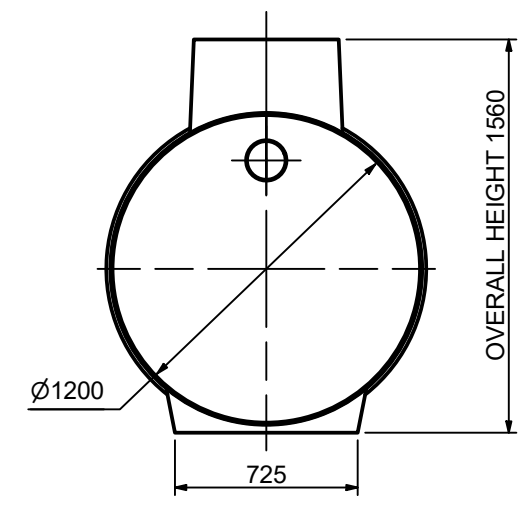


**PLAN VIEW**

**ISOMETRIC VIEW**



**ELEVATION VIEW**



**SIDE VIEW**

**ISSUE FOR APPROVAL  
NOT FOR CONSTRUCTION**

**TOLERANCE:** All Dimensions to Closest 10 mm & +/- 30 mm | **ALL INTERCONNECTING PIPEWORK, PITS AND ASSOCIATED DRAINAGE BY OTHERS**

CLIENT:				
1	24/06/2022	J.MAMIN	INITIAL RELEASE	
REV	DATE	BY	DESCRIPTION	CHK
6				

CONFIDENTIAL - The drawings must not be disclosed to any third parties without written permission from SPEL STORMWATER. Unauthorised disclosure may result in prosecution.  
 © SPEL STORMWATER - This drawing is the property of SPEL STORMWATER ABN: 83 151 832 629 and is subject to return on demand. It is submitted for the use only in connection with the proposal and contracts of SPEL STORMWATER with the expressed conditions that it is not to be reproduced or copied in any form. This data must only be used in accordance with our standard terms and conditions.  
 © Copyright  
 SPEL STORMWATER accepts no responsibility for any loss or damage resulting from any person acting on this information. The details and dimensions contained in this document may change, please check with SPEL STORMWATER for confirmation of current specifications.

Drawn	Date
J.MAMIN	24/06/2022
Check	Date
Verified	Date
Approved	Date
Request No. RN4887	

PROJECT :
TITLE SPEL PURCEPTOR P.013.C1.2C.A.150.PVC GENERAL ARRANGEMENT
SCALE N.T.S
SIZE A3
SHEET 1
REV 1
CUSTOMER CODE : DWG No.
SP19-PC10860-P



PROJECT :			
TITLE SPEL PURCEPTOR P.013.C1.2C.A.150.PVC GENERAL ARRANGEMENT			
SCALE N.T.S	SIZE A3	SHEET 1	REV 1
CUSTOMER CODE : DWG No.			
SP19-PC10860-P			

E:\Vault - Working - Folder\Designs\SPEL\PRODUCTS\PURCEPTOR\200 Series\P.010.C1.2C\PROJECT\NZ.P013.SP22-PC32210-P.dwg

6 5 4 3 2 1