

6 5 4 3 2 1

D

C

B

A

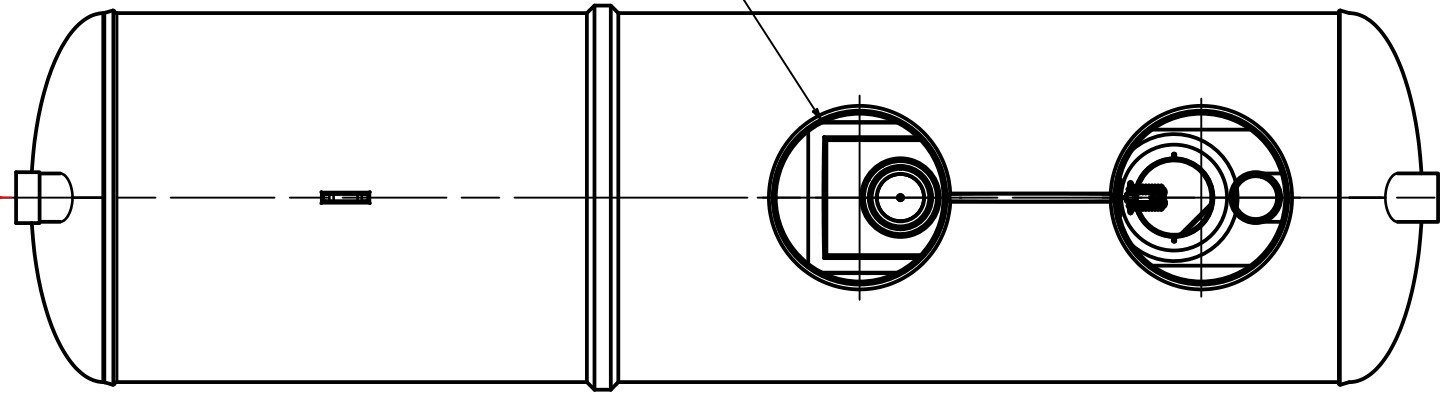
6 5 4 3 2 1

2 OFF - Ø600
ACCESS MANHOLE

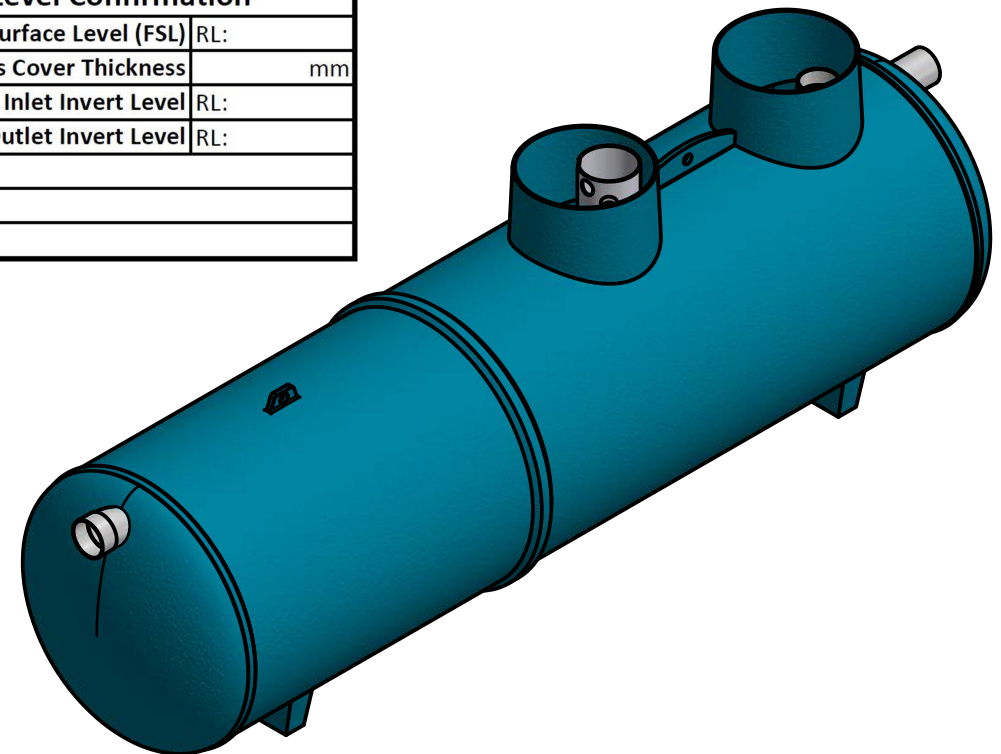
INLET Ø150
PVC DWV PIPE

OUTLET Ø150
PVC DWV PIPE

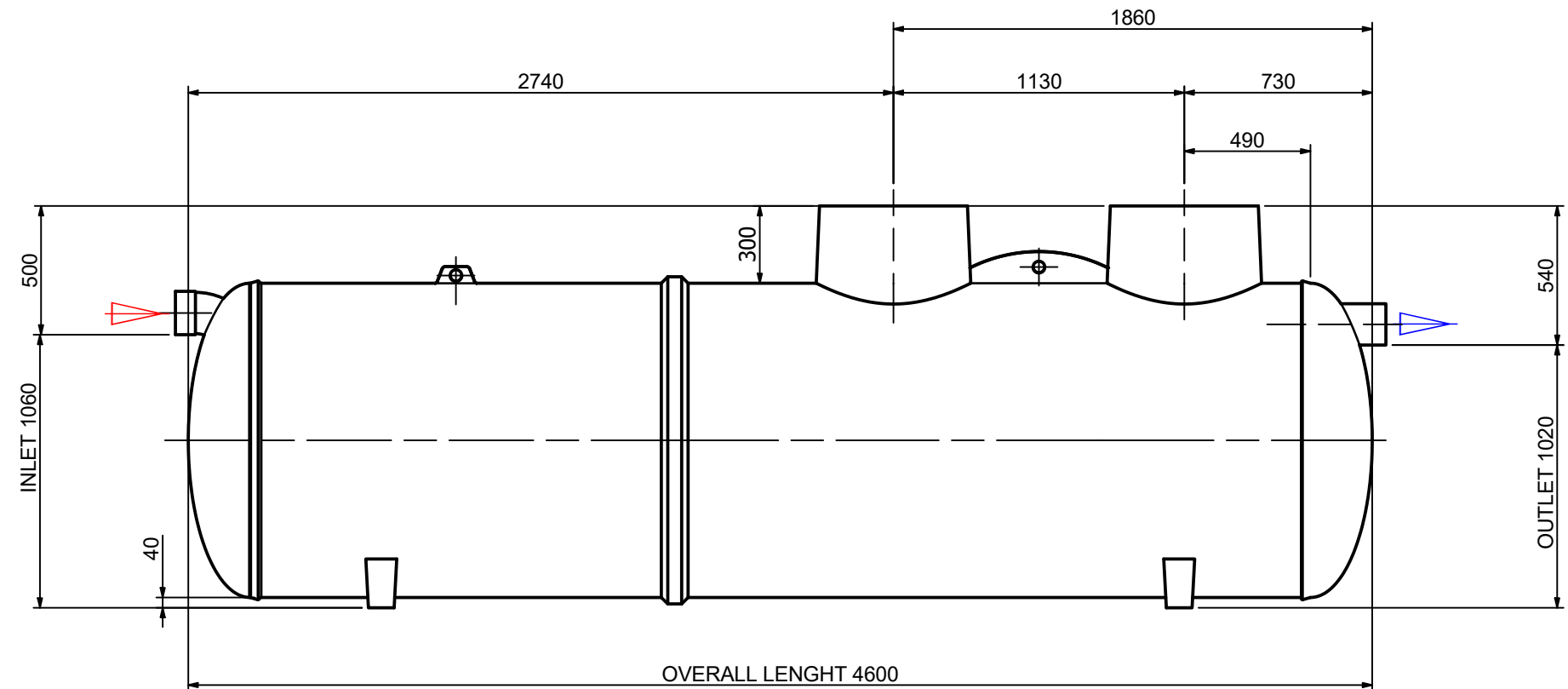
Site Level Confirmation	
Finished Surface Level (FSL)	RL:
Access Cover Thickness	mm
Inlet Invert Level	RL:
Outlet Invert Level	RL:
Company:	
Name:	
Date:	



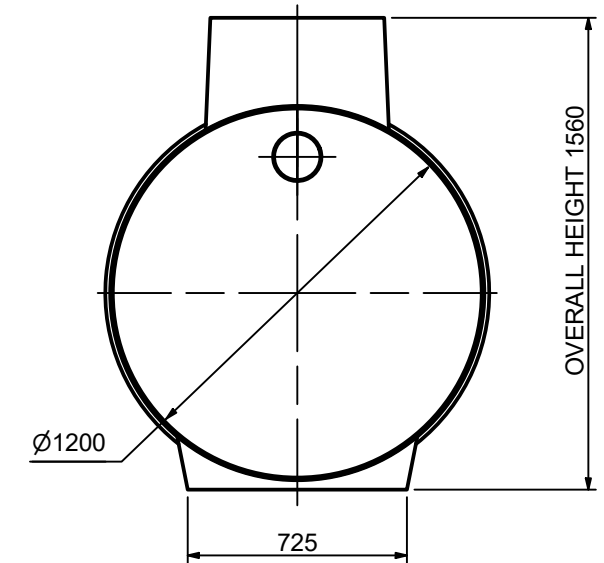
PLAN VIEW



ISOMETRIC VIEW



ELEVATION VIEW



SIDE VIEW

ISSUE FOR APPROVAL
NOT FOR CONSTRUCTION

TOLERANCE: All Dimensions to Closest 10 mm & +/- 30 mm | ALL INTERCONNECTING PIPEWORK, PITS AND ASSOCIATED DRAINAGE BY OTHERS

CLIENT:				
1	14/06/2022	J.MAMIN	INITIAL RELEASE	
REV	DATE	BY	DESCRIPTION	CHK

CONFIDENTIAL - The drawings must not be disclosed to any third parties without written permission from SPEL STORMWATER. Unauthorised disclosure may result in prosecution.
© SPEL STORMWATER - This drawing is the property of SPEL STORMWATER ABN: 83 151 832 629 and is subject to return on demand. It is submitted for the use only in connection with the proposal and contracts of SPEL STORMWATER with the expressed conditions that it is not to be reproduced or copied in any form. This data must only be used in accordance with our standard terms and conditions.
© Copyright
SPEL STORMWATER accepts no responsibility for any loss or damage resulting from any person acting on this information. The details and dimensions contained in this document may change, please check with SPEL STORMWATER for confirmation of current specifications.

Drawn	Date
J.MAMIN	14/06/2022
Check	Date
Verified	Date
Approved	Date
Request No. RN4887	

PROJECT :
TITLE SPEL PURCEPTOR P.010.C1.2C.A.150.PVC GENERAL ARRANGEMENT
SCALE N.T.S
SIZE A3
SHEET 1
REV 1
CUSTOMER CODE : DWG No. SP19-PC10860-P



E:\Vault - Working - Folder\Designs\SPEL\PRODUCTS\PURCEPTOR\200 Series\P.010.C1.2C\PROJECT\NZ.P010.SP22-PC31150-P.dwg