





# Introduction

The SPEL Ecoceptor is a hydrodynamic in-line Gross Pollutant Trap (GPT) that has a unique treatment action producing low velocity conditions producing discharge water quality outcomes complying to statutory guidelines across Australia.

It separates and captures sediments, silt, total suspended solids, and oil and grease. Oil & grease rise to the "oil-capture" zone of the treatment chamber and are contained in all flow events.

Areas with a high fraction of impervious surfaces, including car parks, ports, streetscapes, roads, subdivisions and industrial estates that require stormwater treatment are ideal for the SPEL Ecoceptor. MUSIC node is available on request.

The one-piece, self-contained fibreglass construction, is lightweight and yet robust in strength making it simple and cost-effective when performing installations.

The SPEL Ecoceptor is delivered to site fully assembled saving on installation time and crane costs. The SPEL Ecoceptor fibreglass GPT can be installed in all types of trafficable zones, including vehicular truck (Class D).

The cylindrical shape of the SPEL Ecoceptor with its sloped cone-configured base ensures sediment accretes at the centre of the Ecoceptor's base facilitating easy and simple cleaning.

The poly/fibreglass construction ensures that oil and grease are removed without sticking to the sides of the internal walls.

Flow rates on standard units of up to 1400 LPS and can fit pipe sizes from 225mm to 1200mm (other sizes available on request.)





# Spel ECOCEPTOR 1500 SERIES

# 1500

## SELECTION CHART

Weight approximately 300kg each

Model	E/151515	E/152222	E/153030	E/153737	E/154545
Inlet (mm)	150	225	300	375	450
Outlet (mm)	150	225	300	375	450
Invert* Level (mm)	700	700	700	800	800
Overall* Height (mm)	1950	1950	1950	1950	1950
Internal Diameter (mm)	1520	1520	1520	1520	1520
Manhole Opening (mm)	600 x 600	600 x 600	600 x 600	600 x 600	600 x 600
Manhole Quantity	1	1	1	1	1
Max Silt Capacity (Litre)	1200	1200	1200	1200	1200
Max Hydrocarbon Capacity (Litre)	1200	1200	1200	1200	1200
Max Capacity (Litre)	3000	3000	3000	3000	3000

SPEL Environmental accepts no responsibility for any loss or damage resulting from any person acting on this information. The details and dimensions contained in this document may change, please check with SPEL Environmental for confirmation of current specifications. \*Height does not include lid.













# Spel ECOCEPTOR 6000 SERIES

# 6000

## SELECTION CHART

Weight approximately 700kg each

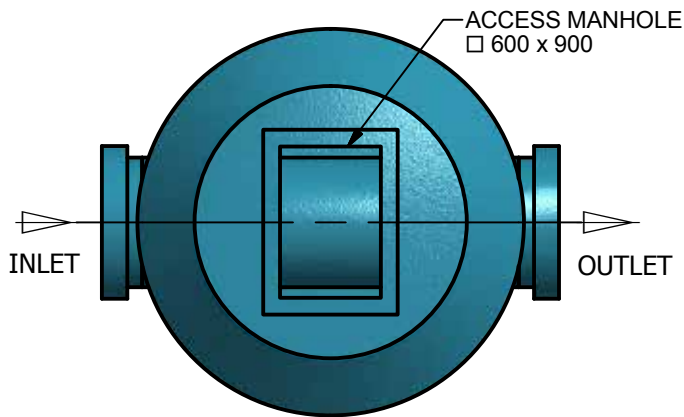
Model	E/606767	E/607575	E/609090
Inlet (mm)	675	750	900
Outlet (mm)	675	750	900
Invert* Level (mm)	1400	1400	1400
Overall* Height (mm)	3300	3300	3300
Diameter (mm)	2200	2200	2200
Manhole Opening (mm)	900 x 600	900 x 600	900 x 600
Manhole Quantity	1	1	1
Max Silt Capacity (Litre)	6000	6000	6000
Max Hydrocarbon Capacity (Litre)	2200	2200	2200
Max Capacity (Litre)	11500	11500	11500

SPEL Environmental accepts no responsibility for any loss or damage resulting from any person acting on this information. The details and dimensions contained in this document may change, please check with SPEL Environmental for confirmation of current specifications. \*Height does not include lid.

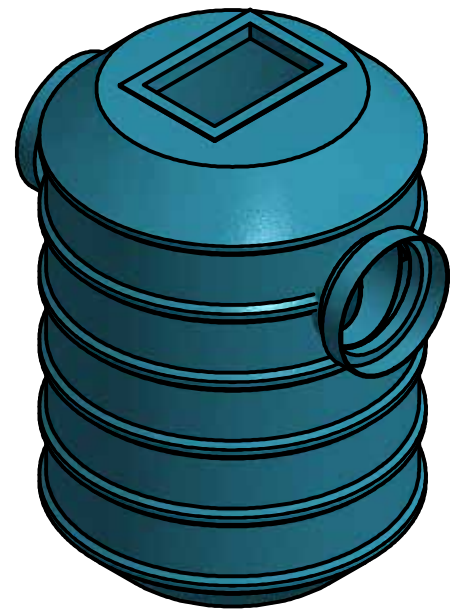
2



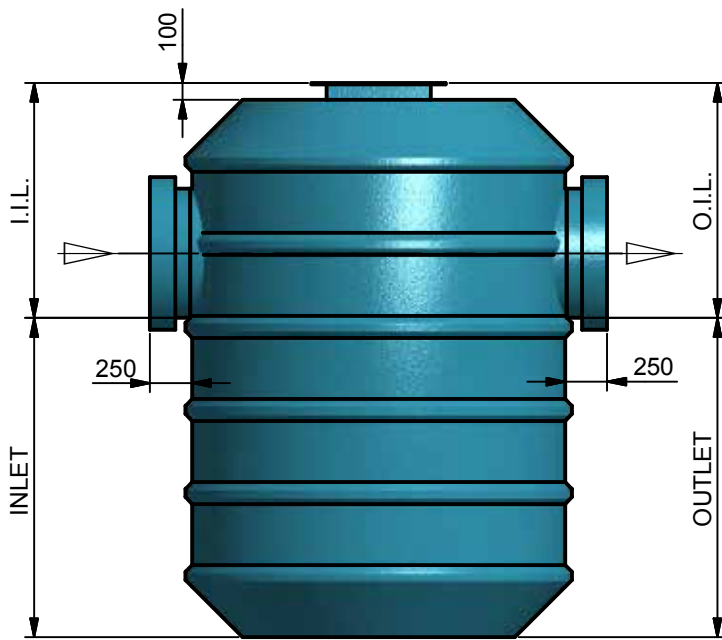
1



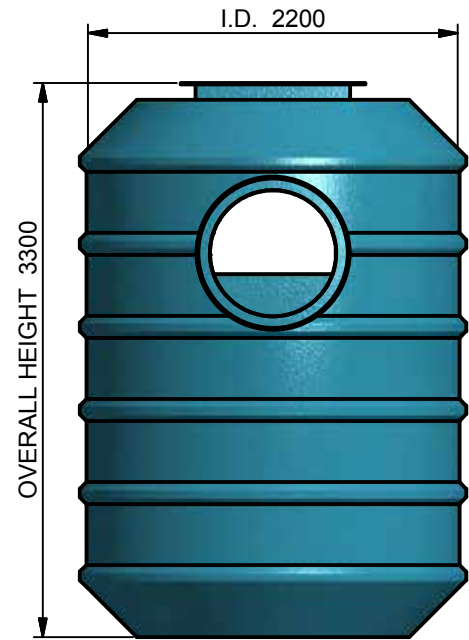
**PLAN VIEW**



**ISOMETRIC VIEW**



**ELEVATION VIEW**



**SIDE VIEW**

TOLERANCE: ALL DIMENSIONS 10mm UNLESS OTHERWISE STATED.

**ALL INTERCONNECTING PIPEWORK, PITS AND ASSOCIATED DRAINAGE BY OTHERS**

Drawn P.Z.	Date 10-10-17
Check	Date
Verified	Date
Approved	Date
Request No. RN4656	

**spelstormwater**  
joy in water

100 Silverwater Road Silverwater NSW 2128  
PH: 1300 773 500 | E: sales@spel.com.au  
www.spel.com.au

<b>PRODUCT : SPEL ECOCEPTOR 6000 SERIES</b>			
<b>TITLE</b>			
SCALE N.T.S	SIZE 1	SHEET 1	REV 1
CUSTOMER CODE :		DWG No. <b>SP17-EC39300-P</b>	

2



1

# Spel ECOCEPTOR 8000 SERIES

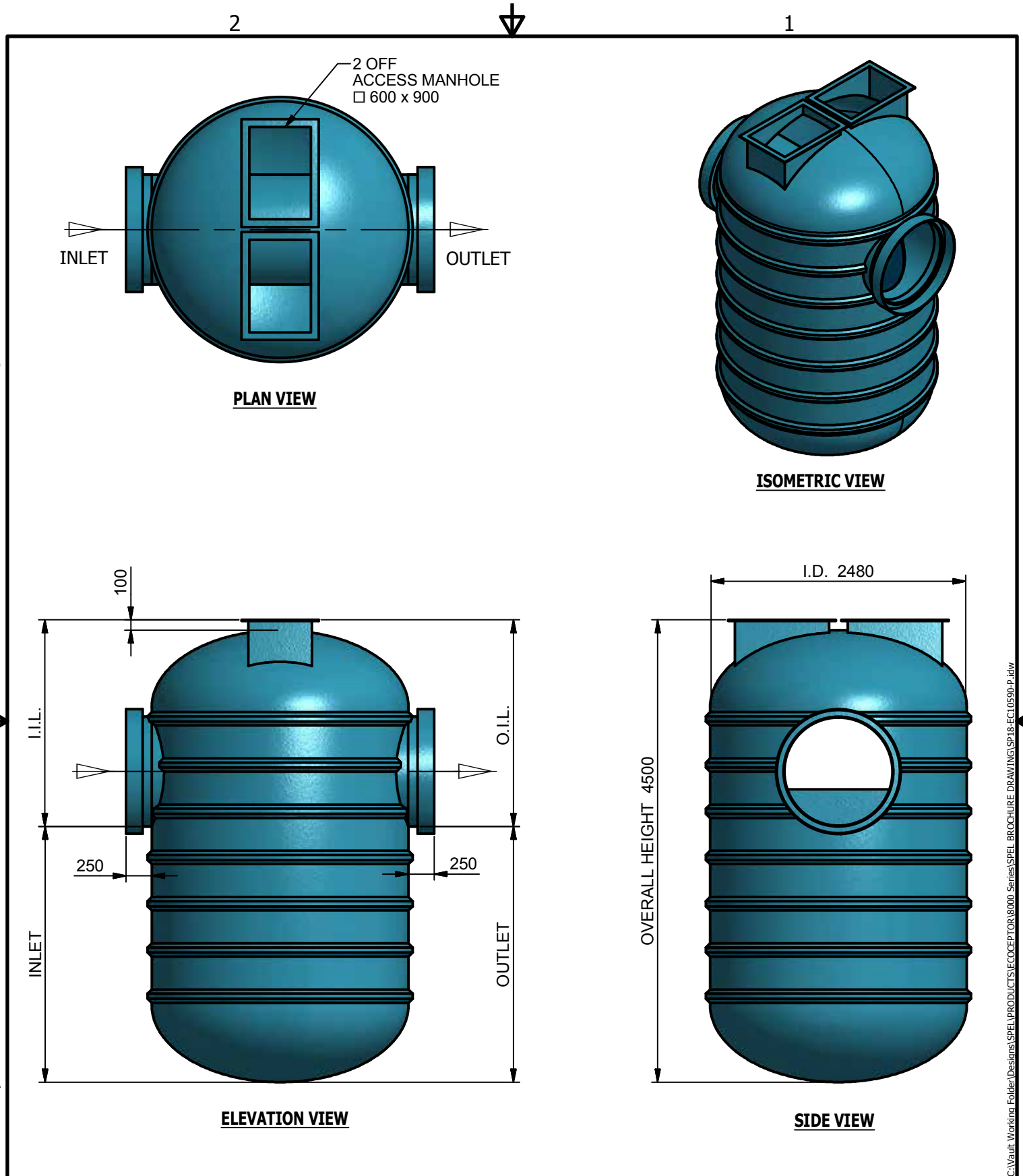
# 8000


## SELECTION CHART

Weight approximately 1350kg each

Model	E.175.105105	E.185.135135	E.200.150150	E.8018090.BC
Inlet (mm)	1050	1350	1500	1800 X 800 BC
Maximum Treatment Flow	1750 LPS	1850 LPS	2000 LPS	-
Outlet (mm)	1050	1350	1500	1800 X 800 BC
Invert* Level (mm)	2400	2400	2400	1800
Overall* Height (mm)	4500	4500	4500	4500
Diameter (mm)	2480	2480	2480	2480
Manhole Opening (mm)	900 x 600	900 x 600	900 x 600	900 x 600
Manhole Quantity	2	2	2	1
Max Silt Capacity (Litre)	10,000	10,000	10,000	10,000
Max Hydrocarbon Capacity (Litre)	4200	4200	4200	4200
Max Capacity (Litre)	19,000	19,000	19,000	19,000

SPEL Environmental accepts no responsibility for any loss or damage resulting from any person acting on this information. The details and dimensions contained in this document may change, please check with SPEL Environmental for confirmation of current specifications. \*Height does not include lid.



TOLERANCE: ALL DIMENSIONS 10mm UNLESS OTHERWISE STATED.		<b>ALL INTERCONNECTING PIPEWORK, PITS AND ASSOCIATED DRAINAGE BY OTHERS</b>		
Drawn P.Z.	Date 22-03-18	 <b>spelstormwater</b> joy in water	<b>PRODUCT : SP18 ECOCEPTOR 8000 SERIES</b>	
Check	Date		TITLE	
Verified	Date		SCALE N.T.S	SIZE 1
Approved	Date		SHEET 1	REV 1
Request No. RN1801	100 Silverwater Road Silverwater NSW 2128 PH: 1300 773 500   E: sales@spel.com.au www.spel.com.au	CUSTOMER CODE :	DWG No. <b>SP18-EC10590-P</b>	

C:\Vault\Working Folder\Designs\SP18\PRODUCTS\ECOCEPTOR\8000 Series\SP18 ECOCEPTOR DRAWING\SP18-EC10590-P.dwg



**spel**stormwater  
joy in water

100 Montgomerie Road, Airport Oaks, Auckland

**Phone:** (021) 641 409 | (09) 930 7417

**Email:** [sales@spel.co.nz](mailto:sales@spel.co.nz)

**[spel.co.nz](http://spel.co.nz)**

SPEL Stormwater accepts no responsibility for any loss or damage resulting from any person acting on this information. The details and dimensions contained in this document may change, please check with SPEL Stormwater for confirmation of current specifications.