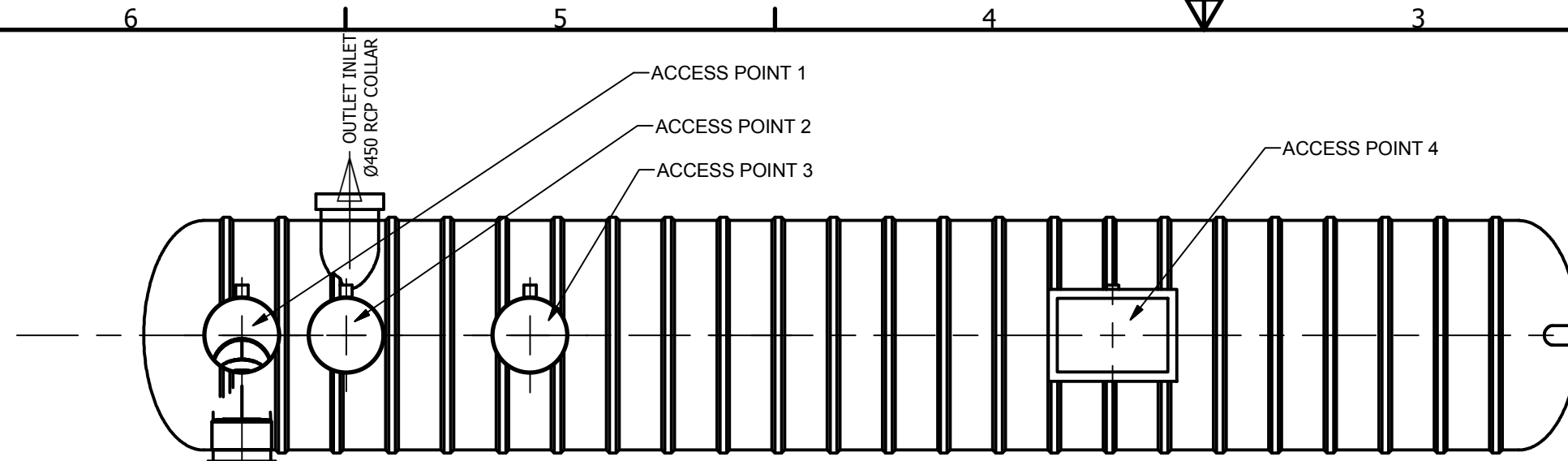


REVISION HISTORY				
REV	DESCRIPTION	DESIGNER	CREATION DAT	CHECKED BY
1	INITIAL RELEASE	M.MAKIN	27/11/2015	

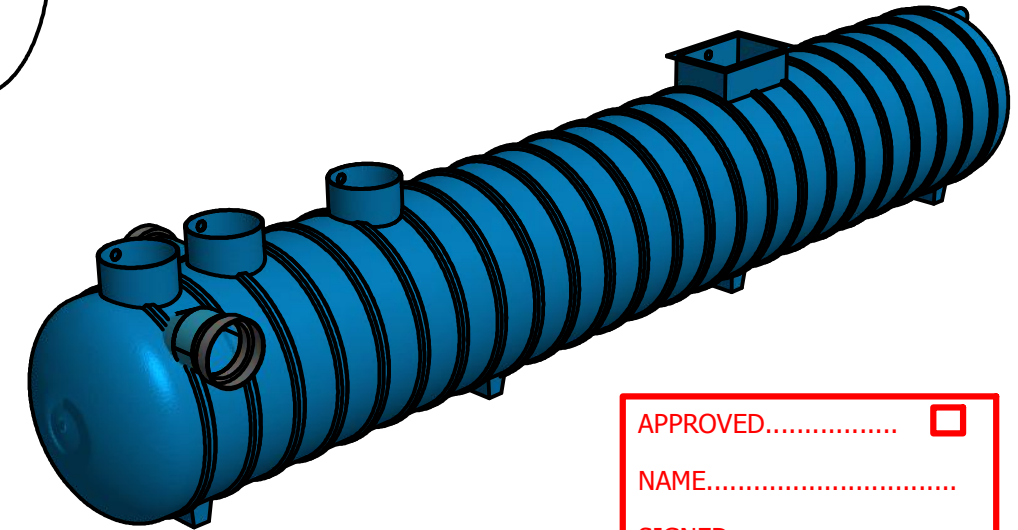
**NOTES:**

- ACCESS POINT 1 : FIRST CHAMBER -  $\phi 600$
- ACCESS POINT 2 : BY PASS CHAMBER -  $\phi 600$
- ACCESS POINT 3 : COALESCER CHAMBER -  $\phi 600$
- ACCESS POINT 4 : AUTO CLOSURE VALVE CHAMBER -  $\square 900 \times 600$

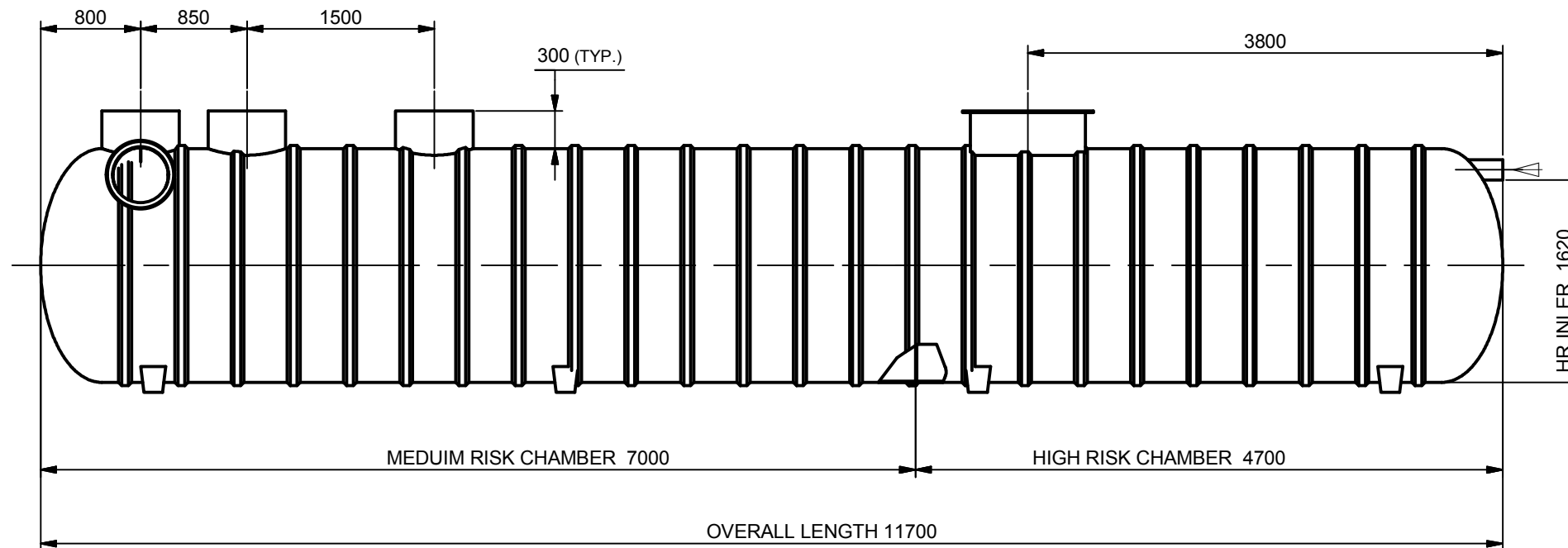


**PLAN VIEW**

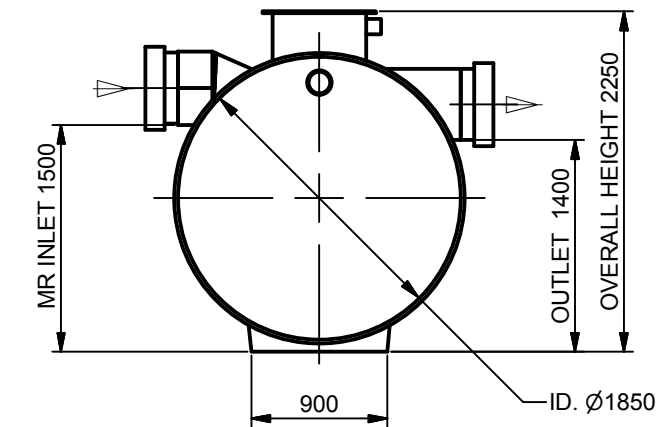
Site Level Confirmation	
Finished Surface Level (FSL) RL:	
Access Cover Thickness	mm
Inlet Invert Level RL:	
Outlet Invert Level RL:	
Company:	
Name:	
Date:	



APPROVED.....	<input type="checkbox"/>
NAME.....	
SIGNED.....	
DATE...../...../.....	



**ELEVATION VIEW**



**ISSUE FOR APPROVAL**  
**NOT FOR CONSTRUCTION**

TOLERANCE: ALL DIMENSIONS 10mm UNLESS OTHERWISE STATED.

CLIENT:

DISTRIBUTOR :

P: +61 3 5274 1336  
E: sales@aksindustries.com.au  
W: www.aksindustries.com.au  
A: 191 Station Street, Corio VIC 3214

CONFIDENTIAL - The drawings must not be disclosed to any third parties without written permission from SPEL Environmental Sydney. Unauthorised disclosure may result in prosecution.  
© SPEL Environmental - This drawing is the property of SPEL Environmental ABN: 83 151 832 629 and is subject to return on demand. It is submitted for the use only in connection with the proposal and contracts of SPEL Environmental with the expressed conditions that it is not to be reproduced or copied in any form. This data must only be used in accordance with our standard terms and conditions.  
© Copyright  
SPEL Environmental accepts no responsibility for any loss or damage resulting from any person acting on this information. The details and dimensions contained in this document may change, please check with SPEL Environmental for confirmation of current specifications.

Drawn	Date
M.MAKIN	27/11/2015
Check	Date
Verified	Date
Approved	Date
Request No.	
	RN2142

100 Silverwater Road Silverwater NSW 2128  
PH: 1300 773 500 | E: sales@spel.com.au  
www.spel.com.au

PROJECT : BDD ENGINEERING PTY LTD 7-ELEVEN PAKENHAM			
TITLE : SPEL TRICEPTOR T.300/220/40.8.1C.3C GENERAL ARRANGEMENT			
SCALE N.T.S	SIZE A3	SHEET 1	REV 1
CUSTOMER CODE : K38874	DWG No. SP15-TI12100-S		

D:\Vault\Working Folder\Designs\SPEL\PRODUCTS\TRICEPTOR\PROJECTS\7-ELEVEN PAKENHAM\_K38874\SP15-TI12100.PLD