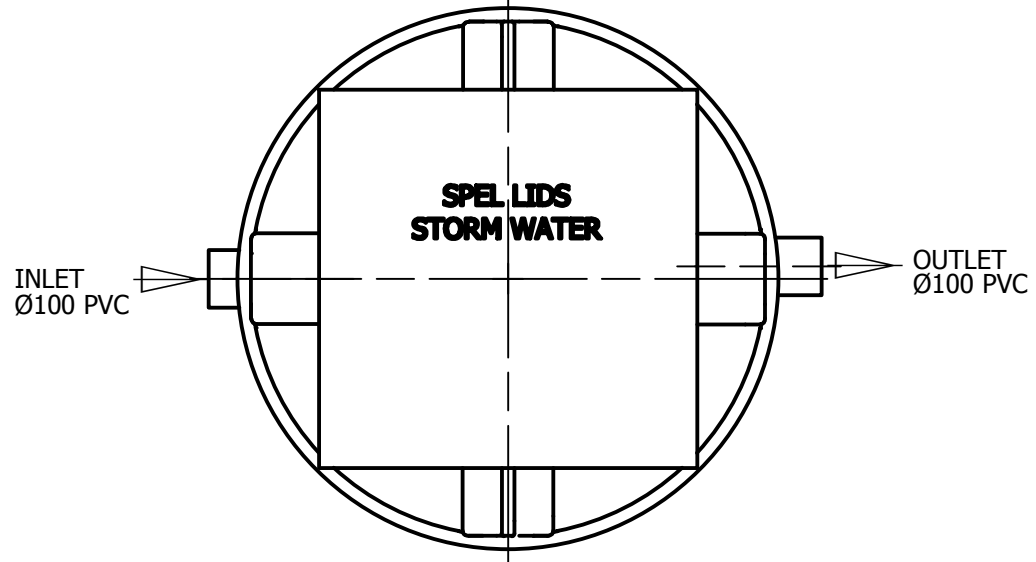
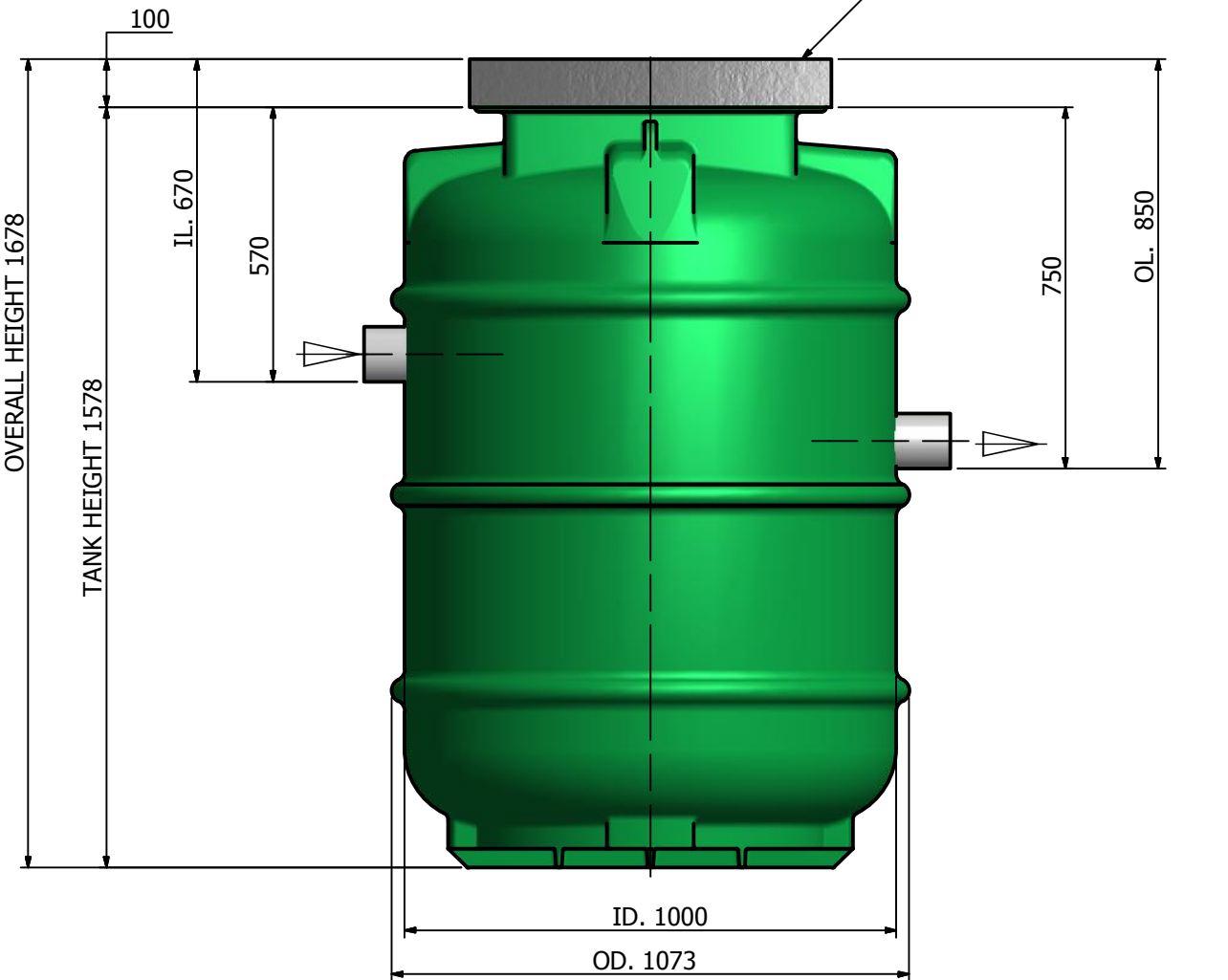


REVISION HISTORY				
REV	DESCRIPTION	AUTHOR	DATE	APPROVED
1	INITIAL RELEASE	M.MAKIN	01/09/2017	



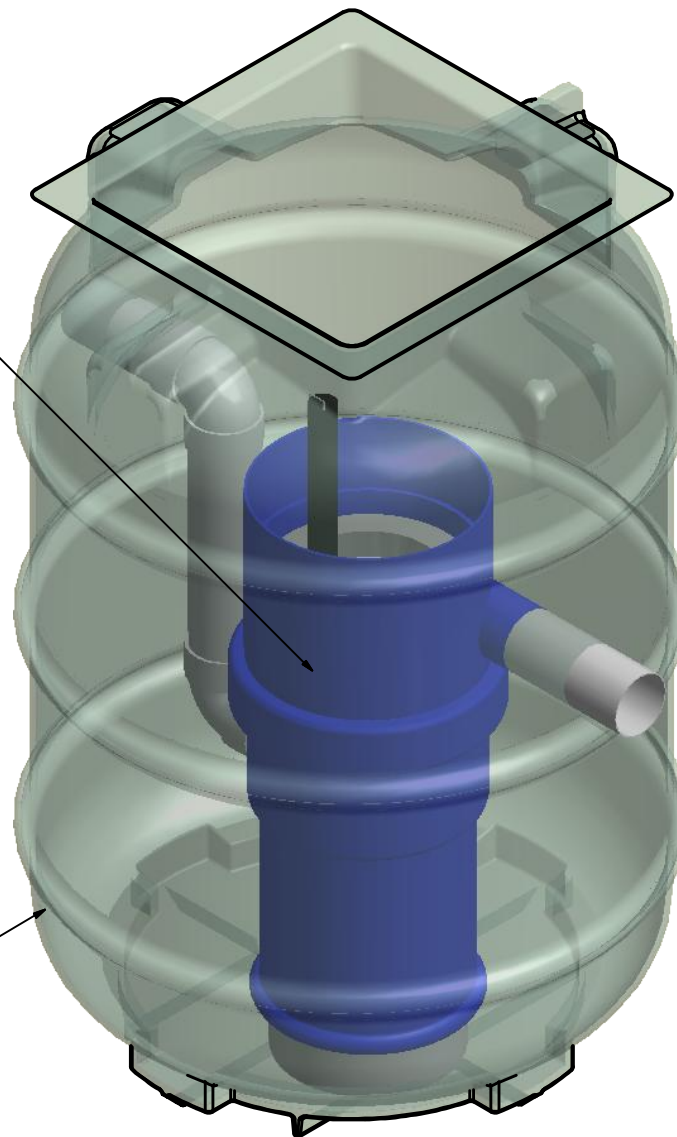
PLAN VIEW



ELEVATION VIEW

SPEL HYDROSYSTEM
SHS - 400

POLY TANK
ID. 1000 X 1578 H



ISOMETRIC VIEW

APPROVED.....

NAME.....

SIGNED.....

DATE...../...../.....

ISSUE FOR APPROVAL
NOT FOR CONSTRUCTION

TOLERANCE: ALL DIMENSIONS 10mm UNLESS OTHERWISE STATED.

CLIENT:

DISTRIBUTOR :

CONFIDENTIAL - The drawings must not be disclosed to any third parties without written permission from SPEL Environmental Sydney. Unauthorised disclosure may result in prosecution.
© SPEL Environmental - This drawing is the property of SPEL Environmental ABN: 83 151 832 629 and is subject to return on demand. It is submitted for the use only in connection with the proposal and contracts of SPEL Environmental with the expressed conditions that it is not to be reproduced or copied in any form. This data must only be used in accordance with our standard terms and conditions.
© Copyright
SPEL Environmental accepts no responsibility for any loss or damage resulting from any person acting on this information. The details and dimensions contained in this document may change, please check with SPEL Environmental for confirmation of current specifications.

Drawn	Date
M.MAKIN	1/09/2017
Check	Date
Verified	Date
Approved	Date
Request No.	
RN3642	

SPEL
ENVIRONMENTAL
INTEGRATED WATER SOLUTIONS

100 Silverwater Road Silverwater NSW 2128
PH: 1300 773 500 | E: sales@spel.com.au
www.spel.com.au

PROJECT :			
TITLE SPEL HYDROSYSTEM 400 SHS.1200.400.1 - CLASS 'D' LDPE TANK 1200 L. 1 HYDROSYSTEM 400B GENERAL ARRANGEMENT			
SCALE	N.T.S	SIZE	A3
SHEET	1	REV	1
CUSTOMER CODE :		DWG No. SP17-HY37760-S	

D:\Vault\Working Folder\Designs\SPEL\PRODUCTS\HYDROSYSTEM\400B_SERIES\STANDARD\1_HYDROPOLY_CLASS_D_2017_APPROVED\SP17-HY37760-S.dwg