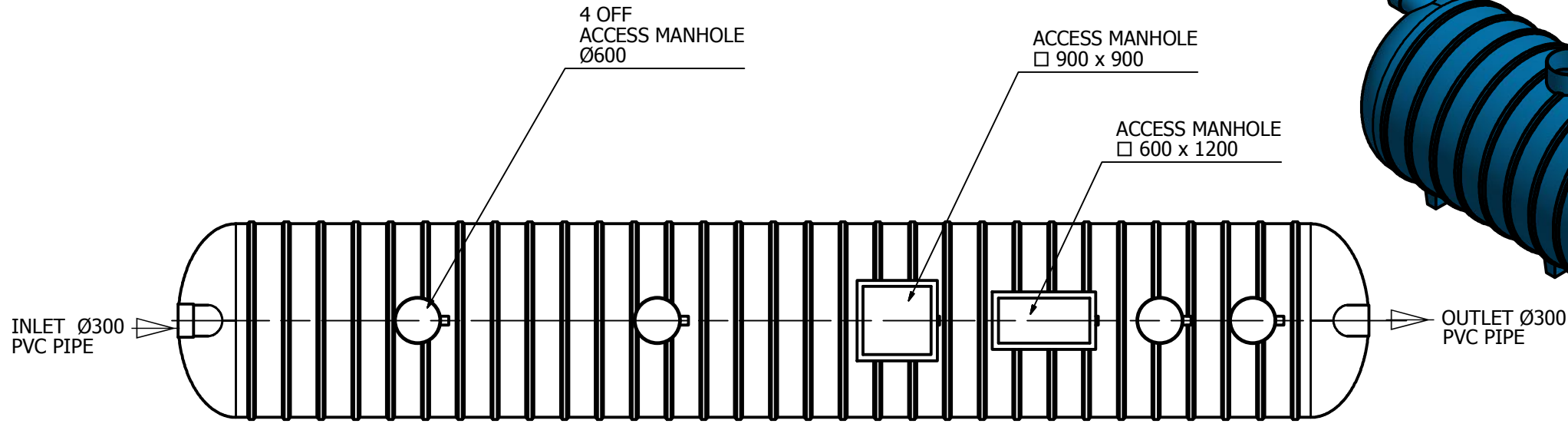
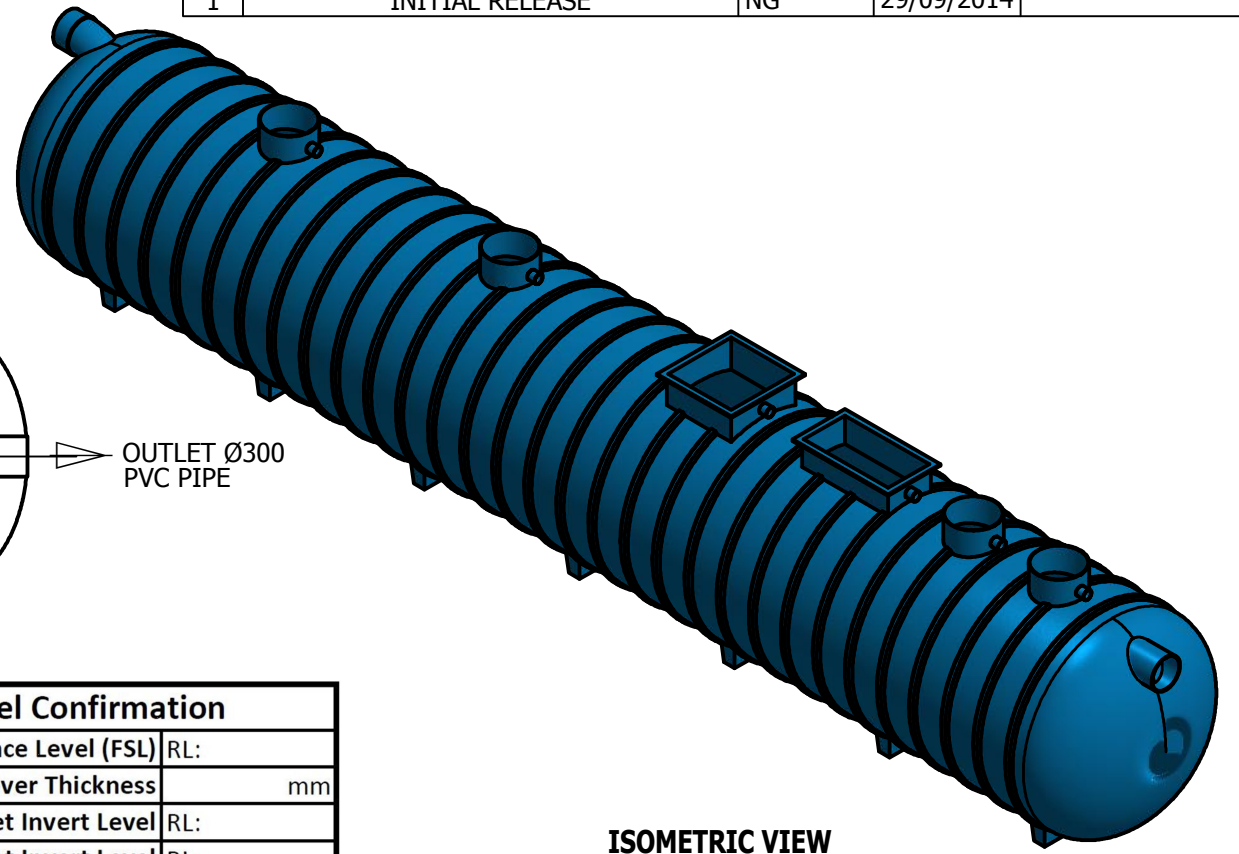


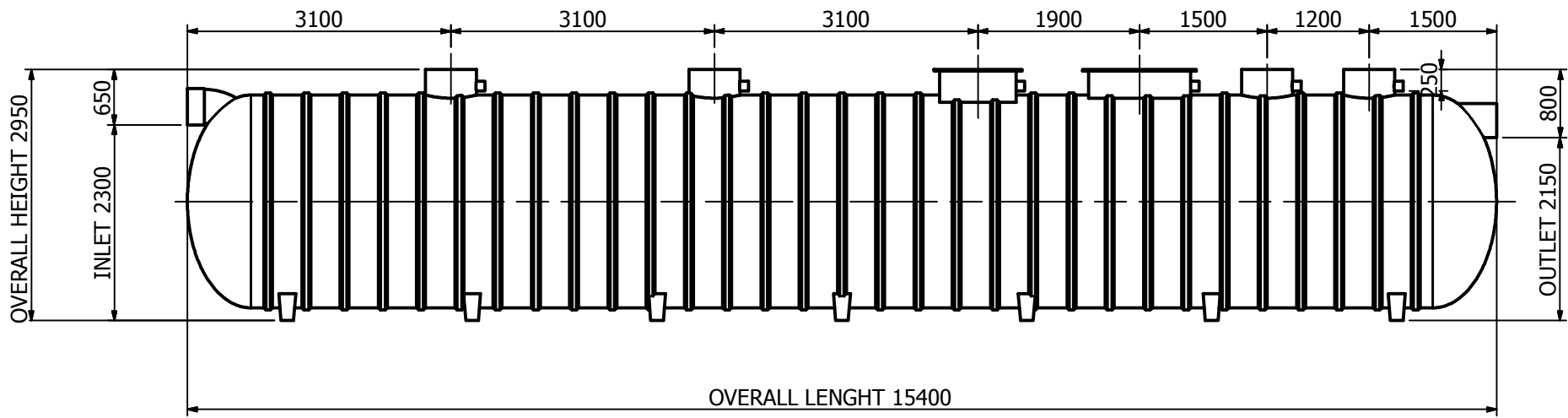
REVISION HISTORY				
REV	DESCRIPTION	DESIGNER	DATE	APPROVED
1	INITIAL RELEASE	NG	29/09/2014	



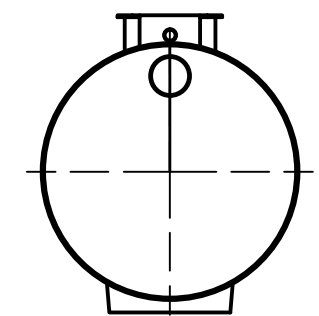
PLAN VIEW



Site Level Confirmation	
Finished Surface Level (FSL) RL:	
Access Cover Thickness	mm
Inlet Invert Level RL:	
Outlet Invert Level RL:	
Company:	
Name:	
Date:	



ELEVATION VIEW



APPROVED.....

NAME.....

SIGNED.....

DATE...../...../.....

ISSUE FOR APPROVAL
NOT FOR CONSTRUCTION

TOLERANCE: ALL DIMENSIONS ±10mm UNLESS OTHERWISE STATED.

CLIENT:

CONFIDENTIAL - The drawings must not be disclosed to any third parties without written permission from SPEL Environmental Sydney. Unauthorised disclosure may result in prosecution.
© SPEL Environmental - This drawing is the property of SPEL Environmental ABN: 83 151 832 629 and is subject to return on demand. It is submitted for the use only in connection with the proposal and contracts of SPEL Environmental with the expressed conditions that it is not to be reproduced or copied in any form. This data must only be used in accordance with our standard terms and conditions.
© Copyright
SPEL Environmental accepts no responsibility for any loss or damage resulting from any person acting on this information. The details and dimensions contained in this document may change, please check with SPEL Environmental for confirmation of current specifications.

DRAWN BY:	DATE:
NG	10/04/2015
CHECKED BY:	DATE:
VERIFIED BY:	DATE:
APPROVED BY:	DATE:
DRAWING REQUEST NUMBER:	
RN1436	



TITLE:			
SPEL PURCEPTOR P.180.C1.2C.A.300.PVC STD PURCEPTOR GENERAL ARRANGEMENT			
PROJECT NUMBER:	SIZE:	SHEET:	REV:
-	A3	1	1
SCALE:	DWG No:		
N.T.S	SP15-PC5290-S		