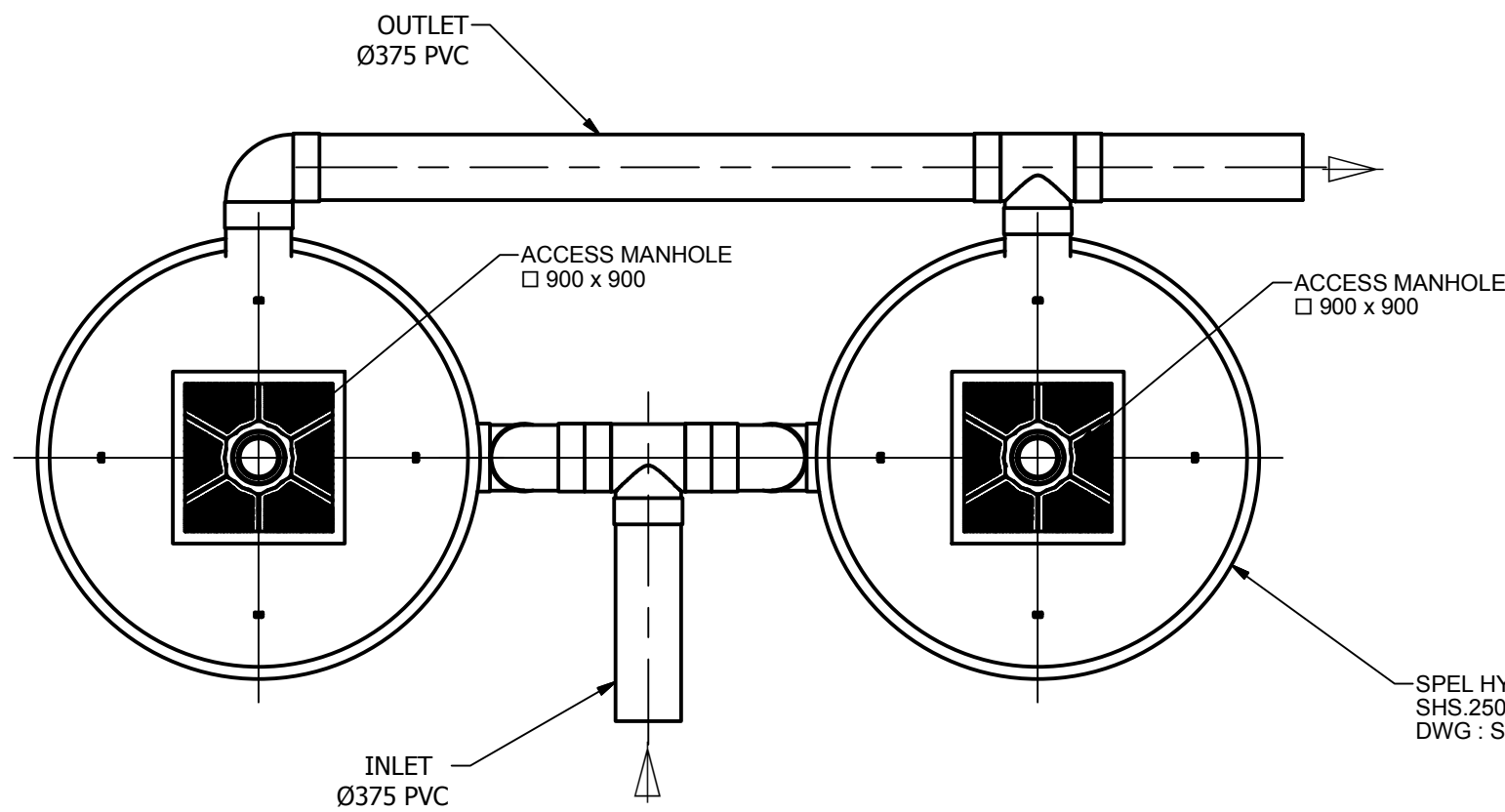
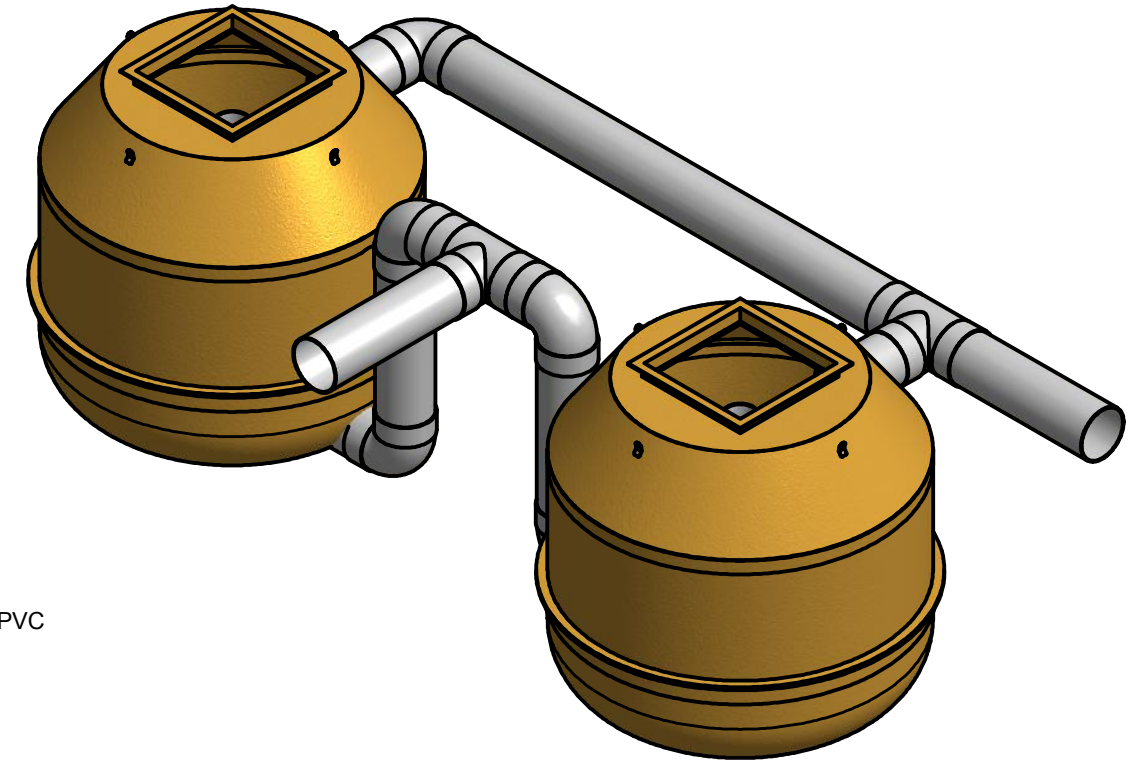


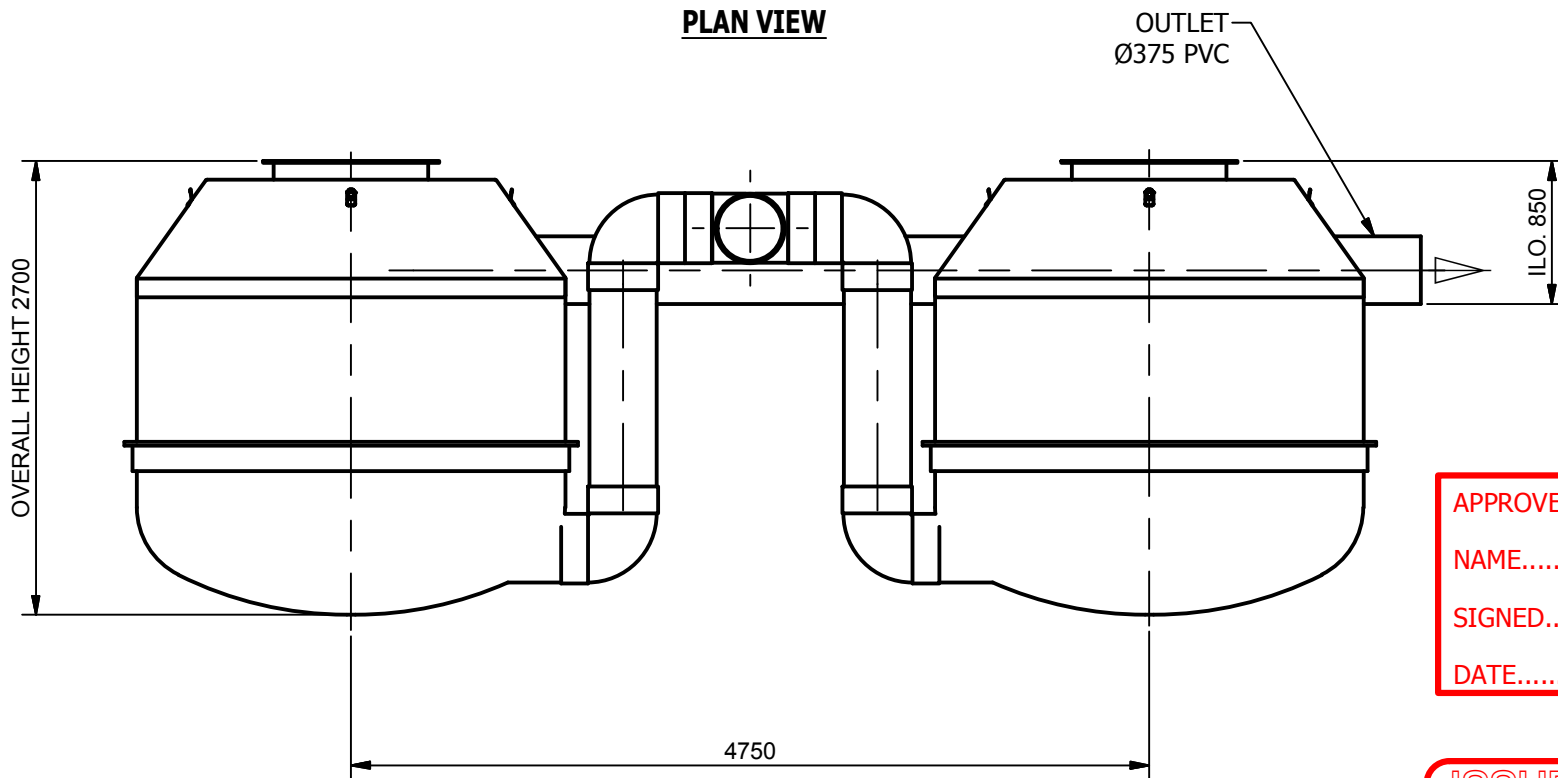
REVISION HISTORY				
REV	DESCRIPTION	DESIGNER	CREATION DATE	CHECKED BY
1	INITIAL RELEASE	M.MAKIN	7/07/2016	



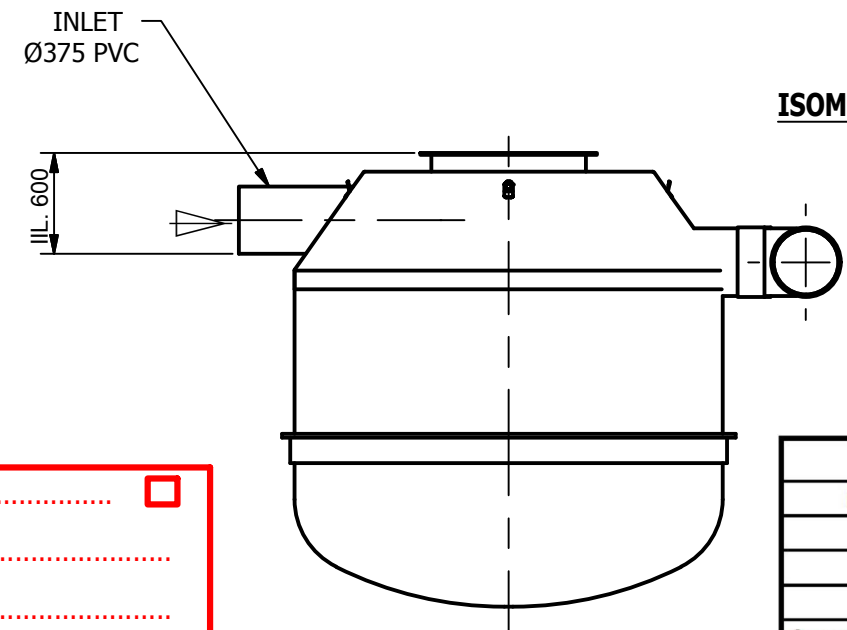
**PLAN VIEW**



**ISOMETRIC VIEW**



**ELEVATION VIEW**



**SIDE VIEW**

APPROVED.....

NAME.....

SIGNED.....

DATE...../...../.....

**ISSUE FOR APPROVAL**

**NOT FOR CONSTRUCTION**

Site Level Confirmation	
Finished Surface Level (FSL) RL:	
Access Cover Thickness	mm
Inlet Invert Level RL:	
Outlet Invert Level RL:	
Company:	
Name:	
Date:	

**NOTICE:**  
SYSTEM PIPEWORK MUST HAVE AT LEAST 250 MM OF FALL TO OPERATE CORRECTLY.

TOLERANCE: ALL DIMENSIONS 10mm UNLESS OTHERWISE STATED.

CLIENT: \_\_\_\_\_

DISTRIBUTOR: \_\_\_\_\_

CONFIDENTIAL - The drawings must not be disclosed to any third parties without written permission from SPEL Environmental Sydney. Unauthorised disclosure may result in prosecution.  
 © SPEL Environmental - This drawing is the property of SPEL Environmental ABN: 83 151 832 629 and is subject to return on demand. It is submitted for the use only in connection with the proposal and contracts of SPEL Environmental with the expressed conditions that it is not to be reproduced or copied in any form. This data must only be used in accordance with our standard terms and conditions.  
 © Copyright  
 SPEL Environmental accepts no responsibility for any loss or damage resulting from any person acting on this information. The details and dimensions contained in this document may change, please check with SPEL Environmental for confirmation of current specifications.

Drawn	M.MAKIN	Date	7/07/2016
Check		Date	
Verified		Date	
Approved		Date	
Request No.	RN2804		

Drawn: M.MAKIN, Date: 7/07/2016  
 Check: \_\_\_\_\_, Date: \_\_\_\_\_  
 Verified: \_\_\_\_\_, Date: \_\_\_\_\_  
 Approved: \_\_\_\_\_, Date: \_\_\_\_\_  
 Request No.: RN2804

100 Silverwater Road Silverwater NSW 2128  
 PH: 1300 773 500 | E: sales@spel.com.au  
 www.spel.com.au

PROJECT :			
TITLE SPEL TREATMENT TRAIN SYSTEM 2 x SPEL HYDROSYSTEM 2500 - 96 L/PS 2 FRP TANK 2500 DIA.- 24 FILTER CARTRIDGES			
SCALE	N.T.S	SIZE	A3
SHEET	1	REV	1
CUSTOMER CODE :	DWG No. SP16-HY8280-P		

D:\Vault\Working Folder\Designs\SPEL\PRODUCTS\HYDROSYSTEM\2500 SERIES\PROJECT\PUMP & VALVE SPECIALTIES LTD - MARINE PRECINCT\SP16-HY8280-P.dwg