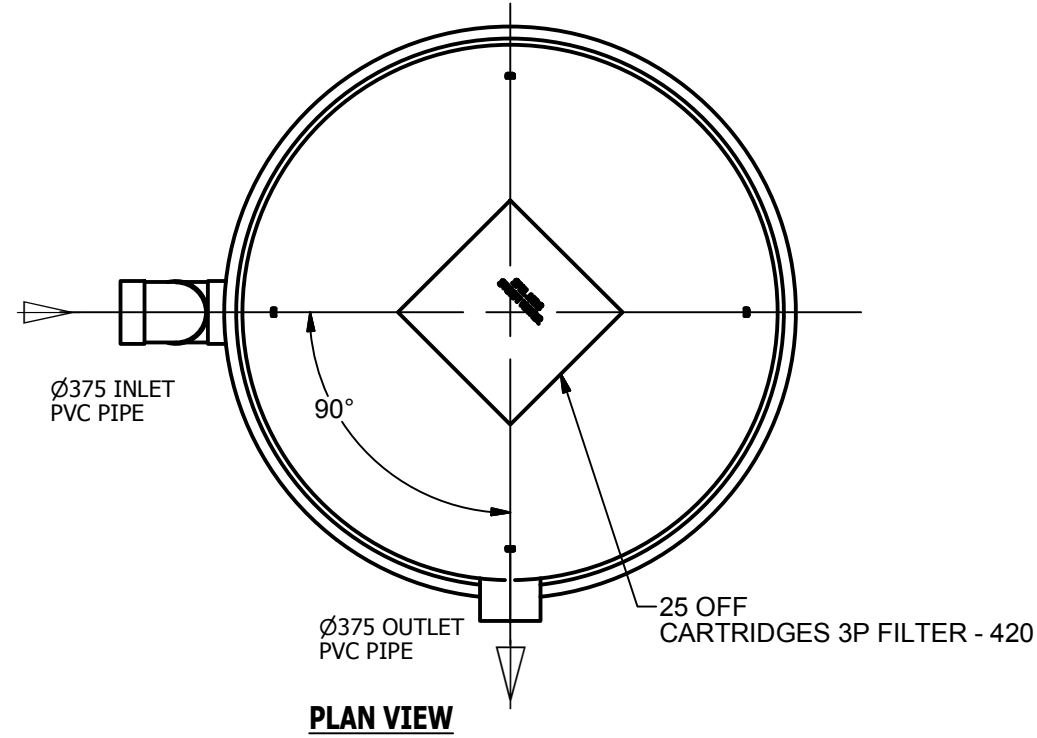
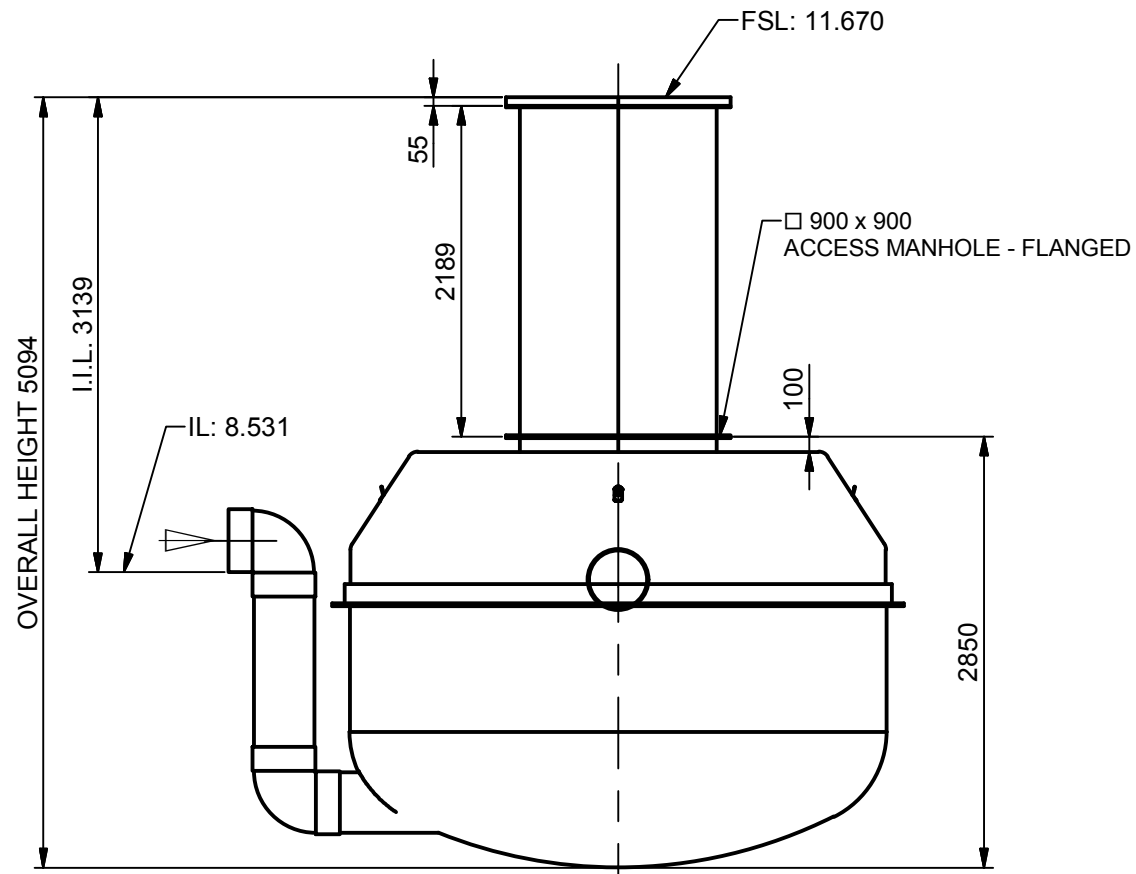


Site Level Confirmation	
Finished Surface Level (FSL) RL:	
Access Cover Thickness	mm
Inlet Invert Level RL:	
Outlet Invert Level RL:	
Company:	
Name:	
Date:	

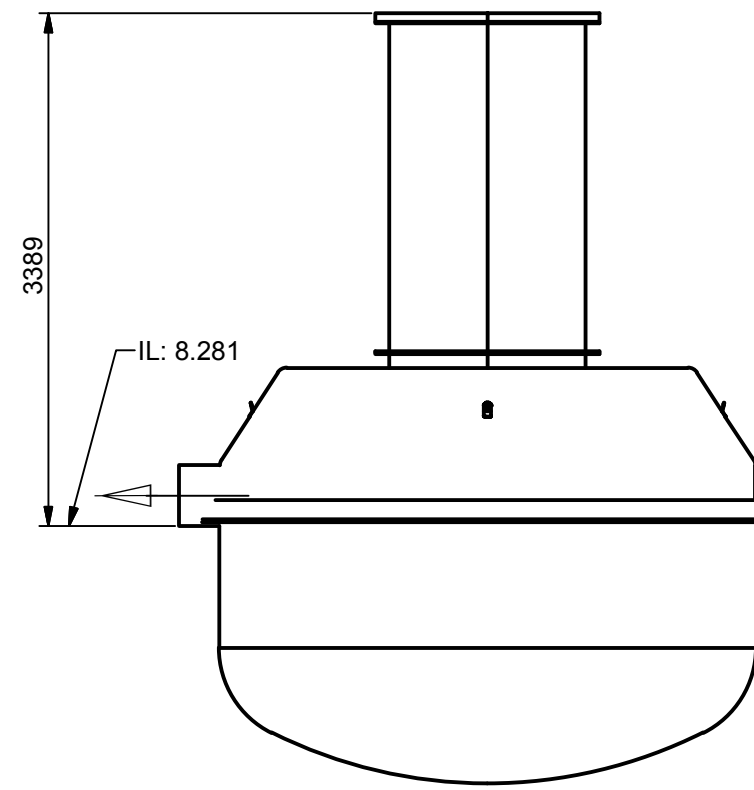
REVISION HISTORY				
REV	DESCRIPTION	DESIGNER	DATE	CHECKED BY
1	INITIAL DESIGN	P.Z.	06-06-17	
2	RISER ADDED	P.Z.	18-07-17	



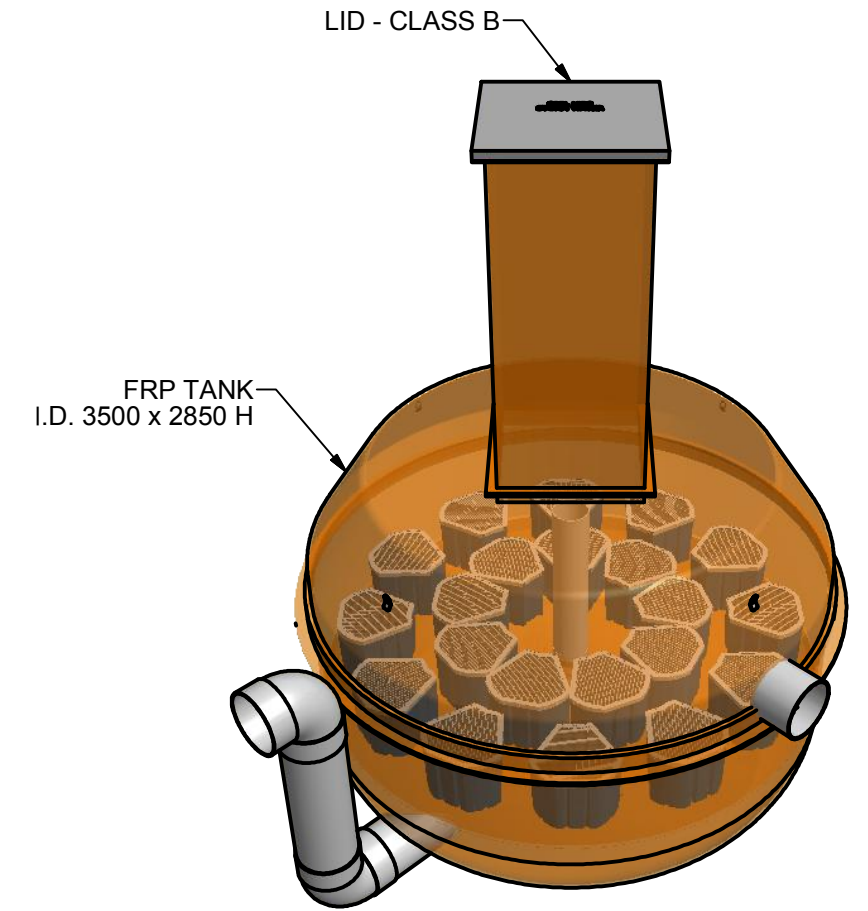
**PLAN VIEW**



**ELEVATION VIEW**



**SIDE VIEW  
OUTLET**



**ISOMETRIC VIEW**

APPROVED.....   
 NAME.....  
 SIGNED.....  
 DATE...../...../.....

**ISSUE FOR APPROVAL  
NOT FOR CONSTRUCTION**

**NOTICE:**  
SYSTEM PIPEWORK MUST HAVE AT LEAST  
250 MM OF FALL TO OPERATE CORRECTLY.

TOLERANCE: ALL DIMENSIONS 10mm UNLESS OTHERWISE STATED.

CLIENT:  
DISTRIBUTOR :

CONFIDENTIAL - The drawings must not be disclosed to any third parties without written permission from SPEL Environmental Sydney. Unauthorised disclosure may result in prosecution.  
 © SPEL Environmental - This drawing is the property of SPEL Environmental ABN: 83 151 832 629 and is subject to return on demand. It is submitted for the use only in connection with the proposal and contracts of SPEL Environmental with the expressed conditions that it is not to be reproduced or copied in any form. This data must only be used in accordance with our standard terms and conditions.  
 © Copyright  
 SPEL Environmental accepts no responsibility for any loss or damage resulting from any person acting on this information. The details and dimensions contained in this document may change, please check with SPEL Environmental for confirmation of current specifications.

Drawn P.Z. Date 06-06-17  
 Check Date  
 Verified Date  
 Approved Date  
 Request No. RN4008

100 Silverwater Road Silverwater NSW 2128  
 PH: 1300 773 500 | E: sales@spel.com.au  
 www.spel.com.au

**SPEL**  
 ENVIRONMENTAL  
 INTEGRATED WATER SOLUTIONS

PROJECT :  
 TITLE SPEL HYDROSYSTEM 3500 SHS.350D-1500C-25.375.PVC FRP TANK 3500 DIA.- 25 FILTER CARTRIDGES GENERAL ARRANGEMENT  
 SCALE N.T.S SIZE A3 SHEET 1 REV 2  
 CUSTOMER CODE : DWG No. SP17-HY33400-P

C:\Vault Working Folder\Designs\SPEL PRODUCTS\HYDROSYSTEM\3500 SERIES\PROJECT\RIVER VALLEY ESTATE STAGE 2\SP17-HY33400-P.dwg