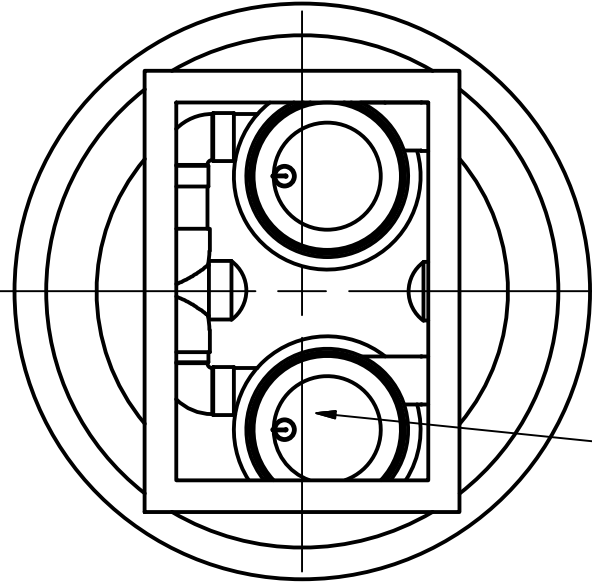


REVISION HISTORY				
REV	DESCRIPTION	DESIGNER	CREATION DA	CHECKED BY
1	INITIAL RELEASE	M.MAKIN	23/03/2017	

INLET Ø100
PVC DWV

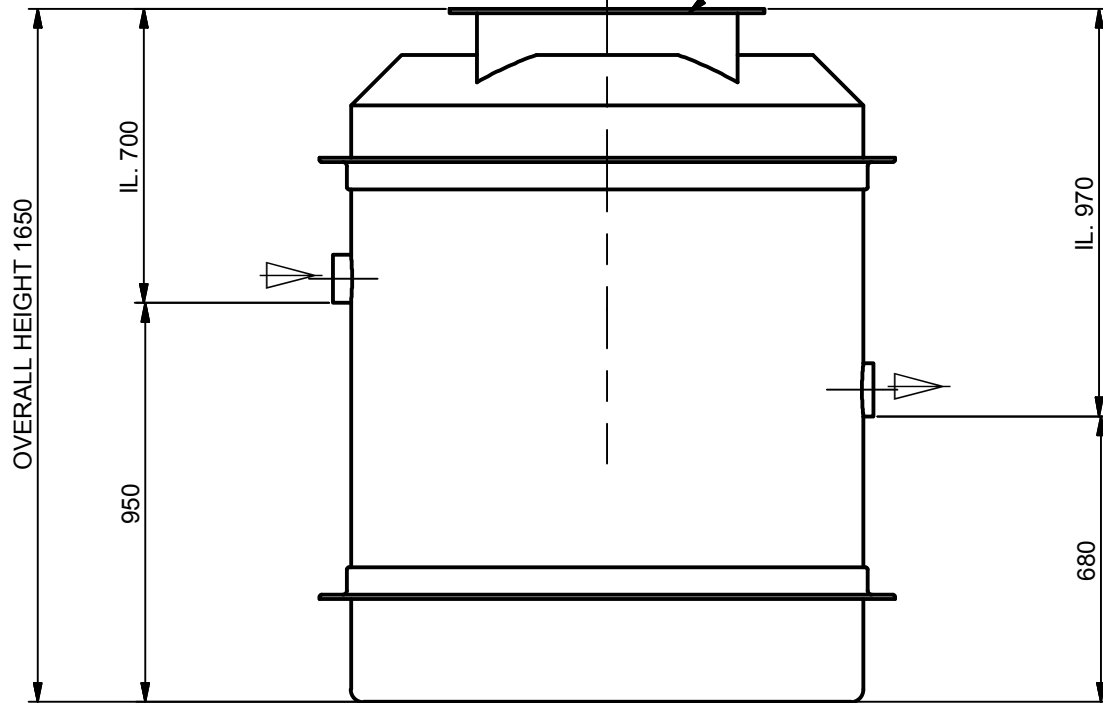


OUTLET Ø100
PVC DWV

2OFF
SPEL HYDROSYSTEM
SHS - 400

PLAN VIEW

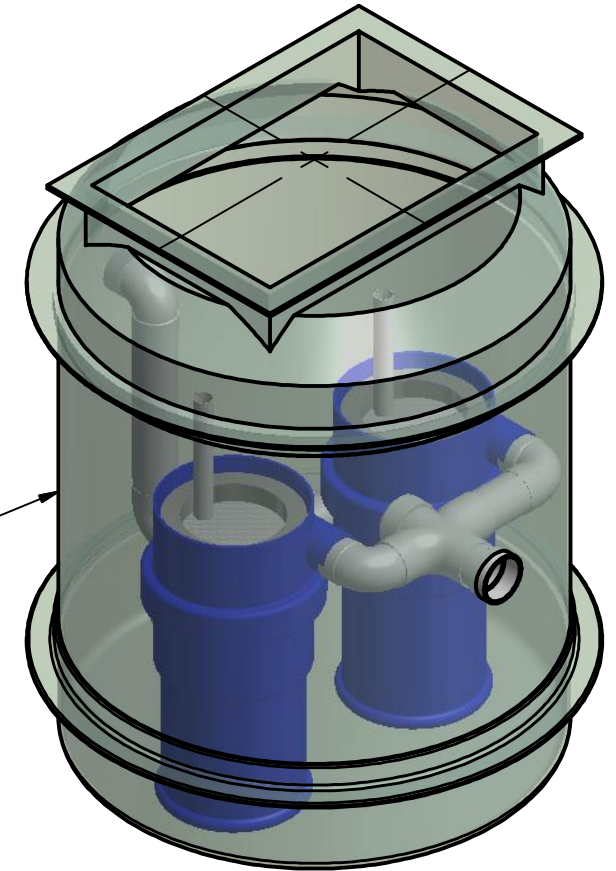
ACCESS MANHOLE
□ 900 x 600



ELEVATION VIEW

Site Level Confirmation	
Finished Surface Level (FSL)	RL:
Access Cover Thickness	mm
Inlet Invert Level	RL:
Outlet Invert Level	RL:
Company:	
Name:	
Date:	

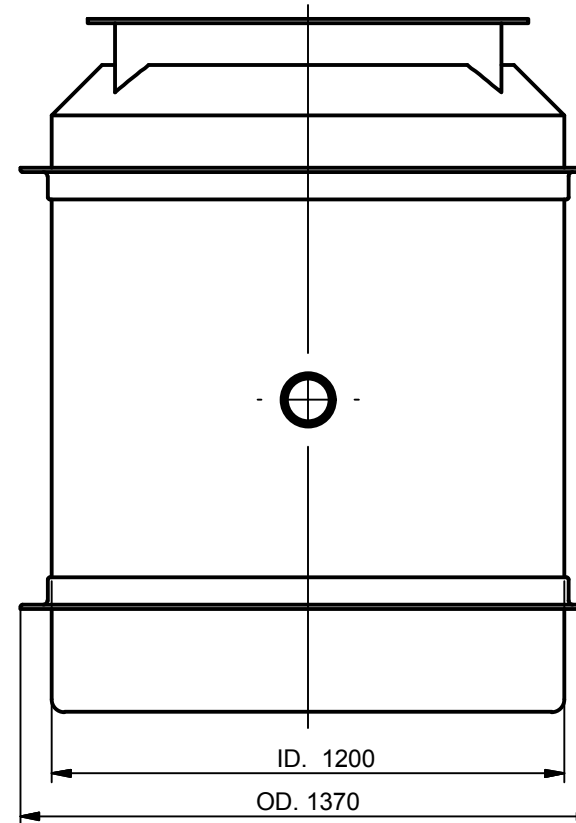
FRP TANK
Ø1200 x 1650



ISOMETRIC VIEW

APPROVED.....
 NAME.....
 SIGNED.....
 DATE...../...../.....

ISSUE FOR APPROVAL
NOT FOR CONSTRUCTION



SIDE VIEW

TOLERANCE: ALL DIMENSIONS 10mm UNLESS OTHERWISE STATED.

ALL INTERCONNECTING PIPEWORK, PITS AND ASSOCIATED DRAINAGE BY OTHERS

CLIENT:

DISTRIBUTOR :

CONFIDENTIAL - The drawings must not be disclosed to any third parties without written permission from SPEL Environmental Sydney. Unauthorised disclosure may result in prosecution.
 © SPEL Environmental - This drawing is the property of SPEL Environmental ABN: 83 151 832 629 and is subject to return on demand. It is submitted for the use only in connection with the proposal and contracts of SPEL Environmental with the expressed conditions that it is not to be reproduced or copied in any form. This data must only be used in accordance with our standard terms and conditions.
 © Copyright
 SPEL Environmental accepts no responsibility for any loss or damage resulting from any person acting on this information. The details and dimensions contained in this document may change, please check with SPEL Environmental for confirmation of current specifications.

Drawn	Date
M.MAKIN	23/03/2017
Check	Date
Verified	Date
Approved	Date
Request No.	
RN3729	

SPEL
 ENVIRONMENTAL
 INTEGRATED WATER SOLUTIONS

100 Silverwater Road Silverwater NSW 2128
 PH: 1300 773 500 | E: sales@spel.com.au
 www.spel.com.au

PROJECT :			
TITLE SPEL HYDROSYSTEM SHS.800.A.100 GENERAL ARRANGEMENTS			
SCALE	N.T.S	SIZE	A3
SHEET	1	REV	1
CUSTOMER CODE :	DWG No. SP17-HY30750-P		

D:\Vault\Working Folder\Designs\SPEL\PRODUCTS\HYDROSYSTEM\800.SERIES\PROJECT\NSW FORENSIC PATHOLOGY & CORONERS COURT\SP17-HY30750-P.dwg